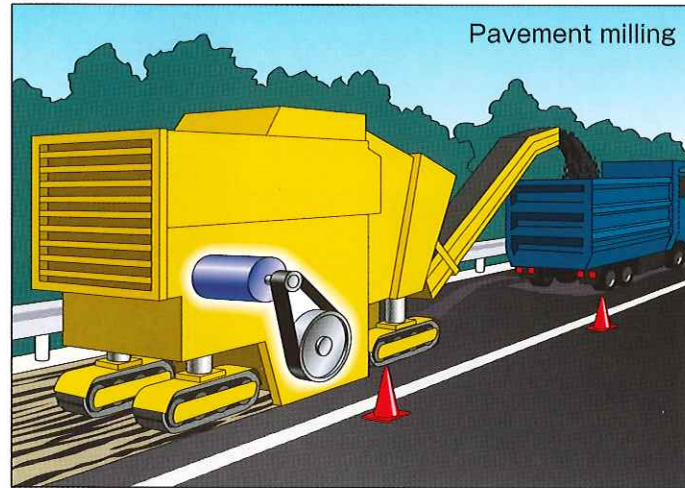
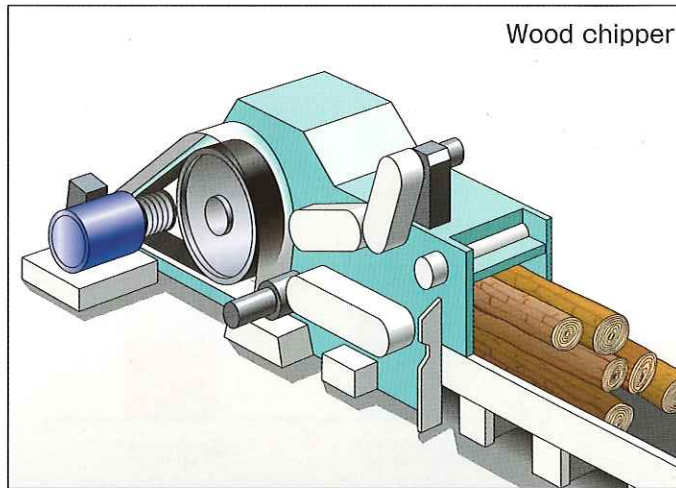


# Shock Load Absorbing Power Ace® Aramid Combo V-belts

Especially suitable for high shock load applications, such as pavement milling or wood chippers. Service life is longer than other leading manufacturers based on field testing.



Pavement milling



Wood chipper

## 5VK

Description	Effective Outside Length (inches)	Description	Effective Outside Length (inches)
5VK600	60	5VK1500	150
5VK630	63	5VK1600	160
5VK670	67	5VK1620	162
5VK710	71	5VK1700	170
5VK750	75	5VK1800	180
5VK760	76	5VK1900	190
5VK800	80	5VK1920	192
5VK850	85	5VK1955	195.5
5VK860	86	5VK2000	200
5VK900	90	5VK2080	208
5VK920	92	5VK2120	212
5VK950	95	5VK2150	215
5VK960	96	5VK2200	220
5VK970	97	5VK2240	224
5VK1000	100	5VK2360	236
5VK1060	106	5VK2500	250
5VK1120	112	5VK2650	265
5VK1180	118	5VK2800	280
5VK1250	125	5VK3000	300
5VK1280	128	5VK3150	315
5VK1320	132	5VK3350	335
5VK1400	140	5VK3550	355
5VK1460	146		

Available up to 16 ribs

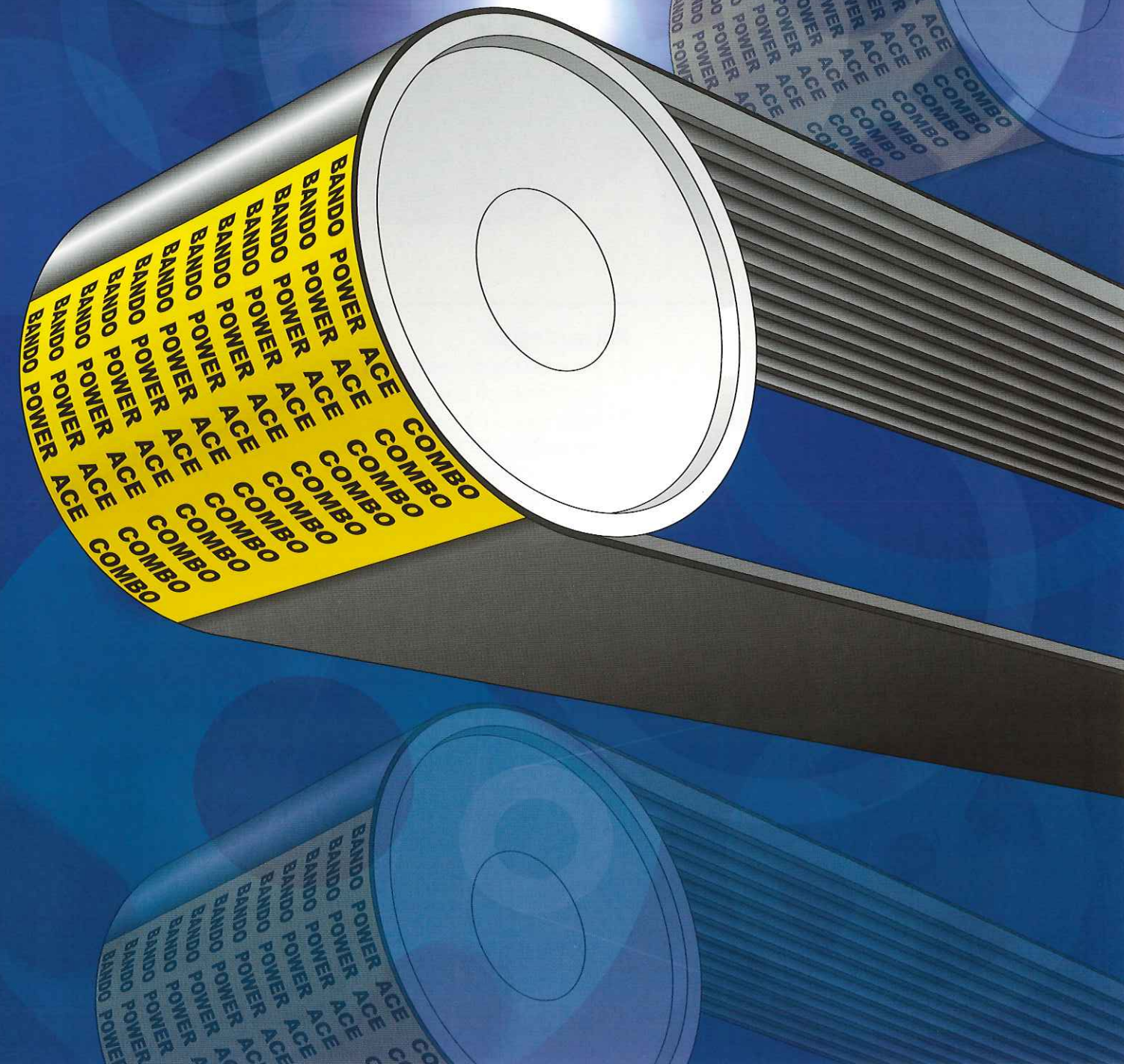
## 8VK

Description	Effective Outside Length (inches)	Description	Effective Outside Length (inches)
8VK1250	125	8VK4500	450
8VK1320	132	8VK4750	475
8VK1400	140	8VK5000	500
8VK1500	150	8VK5600	560
8VK1600	160		
8VK1700	170		
8VK1800	180		
8VK1900	190		
8VK2000	200		
8VK2120	212		
8VK2240	224		
8VK2360	236		
8VK2500	250		
8VK2650	265		
8VK2730	273		
8VK2800	280		
8VK3000	300		
8VK3150	315		
8VK3350	335		
8VK3550	355		
8VK3750	375		
8VK4000	400		
8VK4250	425		

Available up to 10 ribs



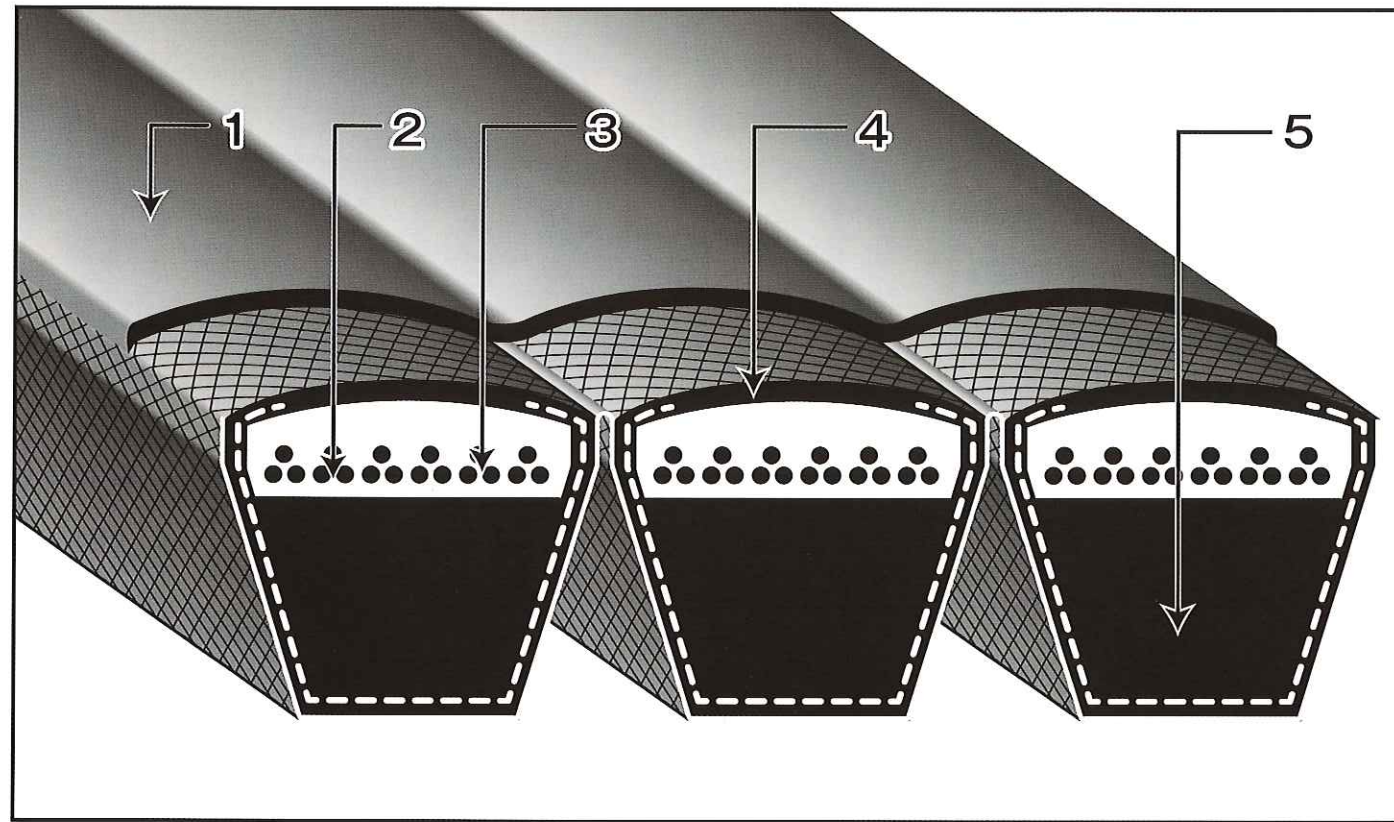
# POWER ACE® ARAMID COMBO





# Power Ace® Aramid Combo V-belts

Power Ace® Aramid Combo belts are constructed with high modulus aramid cords to maintain length stability and to withstand severe shock loads, making them ideally suited for oil, gas, aggregate and lumber industry applications. Meets APRM (RMA) standards for heat resistance and static conductivity (less than 6MΩ).



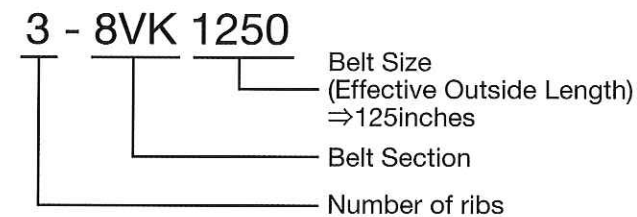
## Construction Features

- 1 : Tie band
- 2 : High modulus aramid cords
- 3 : Chloroprene adhesion rubber
- 4 : Rubber impregnated canvas
- 5 : Chloroprene compression rubber

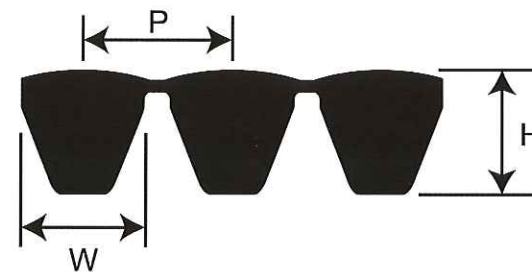
## Advantages

- 1 : New tie band construction delivers excellent anti-abrasion performance and adhesion, leading to increased service life.
- 2 : High modulus aramid cords increase the breaking strength by more than 50% compared to polyester cord V-Belts.
- 3 : 40% higher transmission capacity than polyester V-Belts.
- 4 : Belts are static conductive per APRM (RMA) bulletin IP3-3.

## Part Number Example

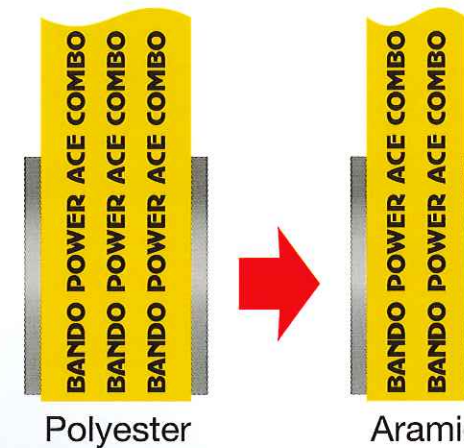
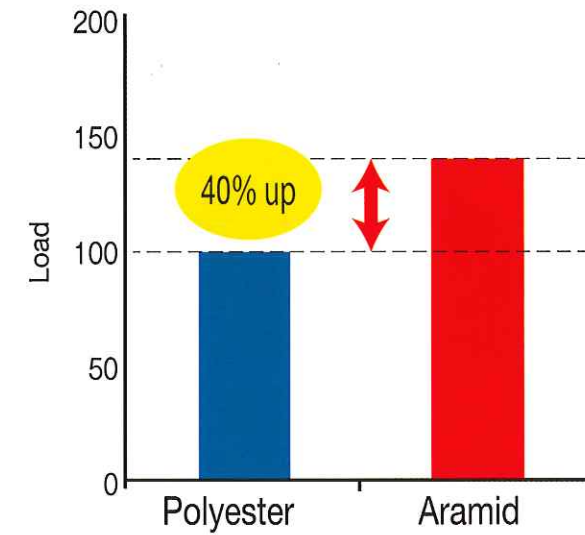


## Nominal Dimension



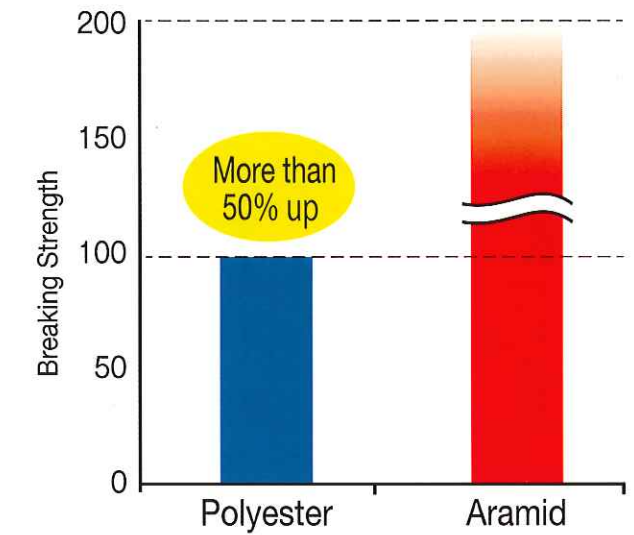
Belt Section	Top Width W (Inches)	Height H (Inches)	Pitch Between Belts P (Inches)	Belt Section	Size Range
5VK	0.62	0.63	0.69	5VK	600~3550
8VK	1.00	0.98	1.13	8VK	1250~5600

# Transmission Capacity

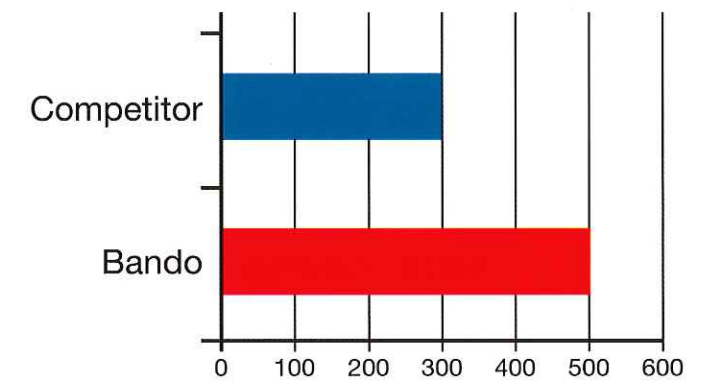


Drives can be designed utilizing fewer ribs, resulting in reduced design weight.

# Breaking Strength

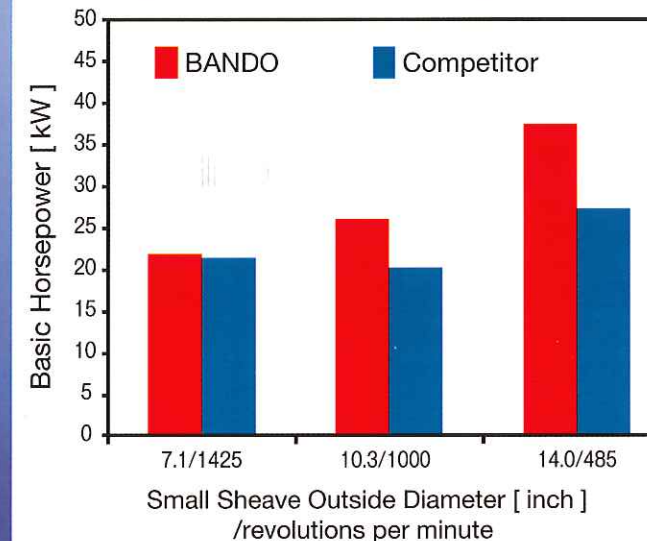


## Field Test Result of Service Life (Hours)



Service life tested longer than our competitor during field testing on pavement milling machines.

## Basic Horsepower Comparison (5VK)



## Basic Horsepower Comparison (8VK)

